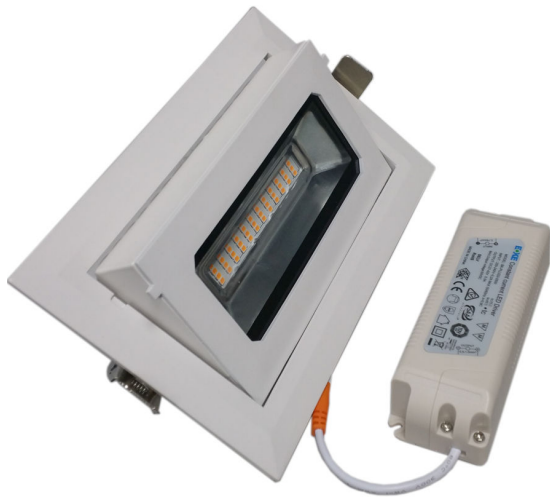


LED FLOODLIGHTS EMBEDDED SERIES
PRODUCT SERIES DATASHEET



LED FLOODLIGHTS EMBEDDED SERIES

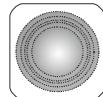


88Light Floodlight EMBEDDED Series state of the art design with low light decay, high color rendering index LED chip source light and high quality low weight aluminum alloy housing fill in a high brightness and long lifespan flood light. Floodlight is a uniform illumination can all directions point light source, its illuminated area can be adjusted.

Applications:



Parking Lots



Decoration



Warehouse



Tunnel



Jewelry Store



Shopping Mall



Exhibition hall



Restaurant

PRODUCT FEATURES

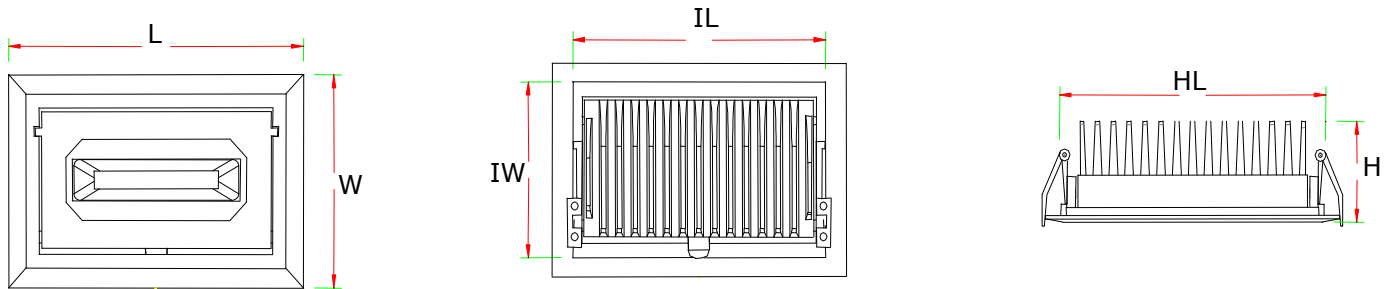
- LED driver contact with the heatsink directly and the heat dissipation is much stronger.
- With Reflector inside.
- High color rendering index SMD LED chips source light with high-quality.
- Low temperatures. Long lifespan.
- IP20 for indoor application.
- Kinds of color for options, Red, Green, Blue, 2700K, 3000K, 4000K and 6500K.
- No mercury and lead. No UV. No infrared. No radiation.
- Without causing any flickering, helpful to protect the eyes.
- CE (TUV) for EMC and LVD approved and RoHS compliant.



LED FLOODLIGHTS EMBEDDED SERIES
PRODUCT SERIES DATASHEET



PRODUCT DIAGRAM



Product Name	L [mm]	W [mm]	IL [mm]	IW [mm]	HL [mm]	H [mm]
88L-FL-EC-20W	204	131	175	108	186	62
88L-FL-EC-25W	204	131	175	108	186	62
88L-FL-EC-30W	245	150	225	130	235	72
88L-FL-EC-40W	245	150	225	130	235	72

Note 1: the structure drawing is only for showing the dimensions.

TECHNICAL DATA

Electrical characteristics: ²

Product Name	Operating Voltage	Frequency [Hz]	Power [W]	Traditional equivalent [W]	Power Factor [%]	LED Style	IP Grade
88L-FL-EC-20W	AC200-240V	50 / 60	20	50	≥0.95	48pcs	IP20
88L-FL-EC-25W	AC200-240V	50 / 60	25	75	≥0.95	48pcs	IP20
88L-FL-EC-30W	AC200-240V	50 / 60	30	100	≥0.95	36pcs	IP20
88L-FL-EC-40W	AC200-240V	50 / 60	40	150	≥0.95	36pcs	IP20

Note 2: Absolute ratings @ 25°C.

LED FLOODLIGHTS EMBEDDED SERIES
PRODUCT SERIES DATASHEET



TECHNICAL DATA

Optical Characteristics: ^{2, 3}

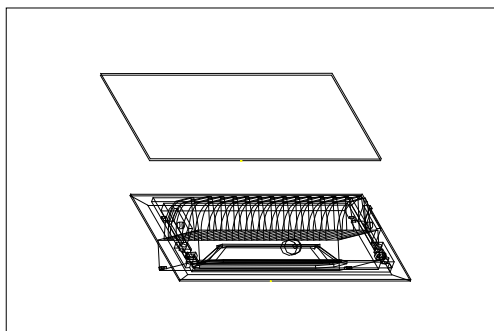
Product Name	Color	Color Temperature [°K]	Luminescence [lm]	CRI (Ra)	Beam angle [°]
88L-FL-EC-20W-CW	Cool White	6500	1800	>90	100
88L-FL-EC-20W-NW	Nature White	4000	1800	>90	100
88L-FL-EC-20W-WW	Warm White	3000	1900	>90	100
88L-FL-EC-25W-CW	Cool White	6500	2250	>90	100
88L-FL-EC-25W-NW	Nature White	4000	2250	>90	100
88L-FL-EC-25W-WW	Warm White	3000	2350	>90	100
88L-FL-EC-30W-CW	Cool White	6500	2700	>90	100
88L-FL-EC-30W-NW	Nature White	4000	2700	>90	100
88L-FL-EC-30W-WW	Warm White	3000	2800	>90	100
88L-FL-EC-40W-CW	Cool White	6500	3600	>90	100
88L-FL-EC-40W-NW	Nature White	4000	3600	>90	100
88L-FL-EC-40W-WW	Warm White	3000	3700	>90	100

Note 2: Absolute ratings @ 25°C.

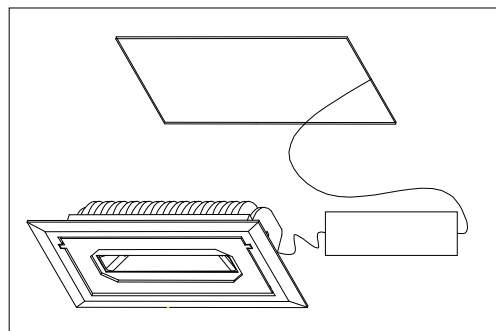
Note 3: Tolerance of measurement of luminous intensity±8%.

PRODUCT INSTALLATION:

Precaution: Switch off power before doing any works.



Open hole for the floodlight and the hole size is no less than HLxIW.



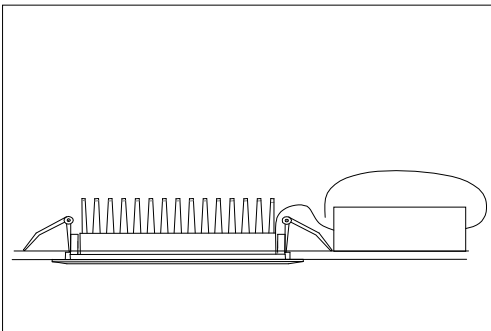
Connect the wires to city power and test the lamp. Also check the screws if it's fixed well.

LED FLOODLIGHTS EMBEDDED SERIES PRODUCT SERIES DATASHEET

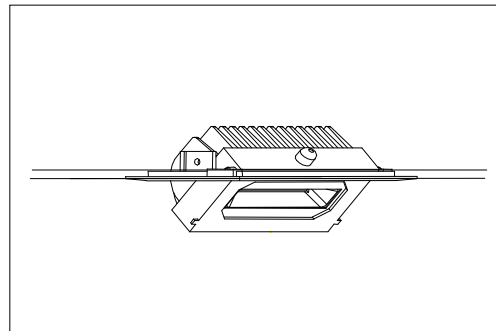


PRODUCT INSTALLATION:

Precaution: Switch off power before doing any works.



Place the floodlight to where it will be installed and check the beam angle.



Adjust the direction of the light.

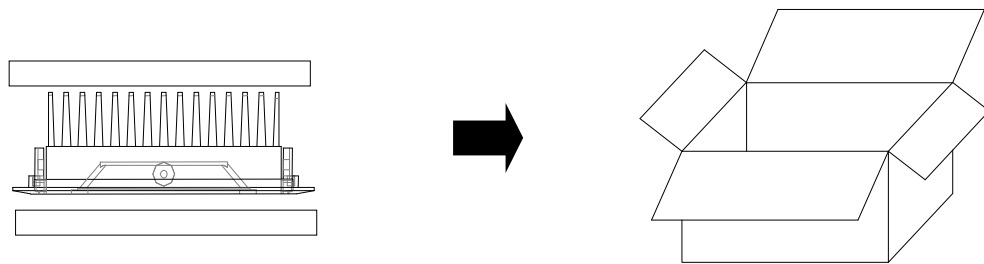
SAFETY

1. **Always** consult a qualified, licensed electrician prior to the installation of this product.
2. **Always** ensure that all components are joined properly before they are installed.
3. It is recommended that adequate airflow and heatsink be taken into account in the application and installation of this product. Improper thermal management may lead to premature failure.
4. If any doubt about the installation or use of this product, consult a competent electrician.
5. Exceeding the operating temperature values may damage LED chips by reducing the total lamp life and lumen output, and inversely impact color consistency.
6. Switch off power of the mains supply or respectively of the connection lead before doing any works.
7. Avoid voltage drops by using a dedicated line for each maximum power consumption line.
8. The manufacturer rates each power supply for maximum power output at optimum thermal and voltage conditions. As with any power supply, true actual maximum continuous current output depends upon various environmental factors such as ambient temperature, line voltage fluctuations, and orientation that may affect heat dissipation. For optimum performance, make sure the load is between 50% and 80% of the total capacity of the power supply.
9. LED products are continuously being improved upon in ever-shortening manufacturing cycles. LED color temperature (kelvin), lumen output, and product appearance can change from order to order. Please note that variation in color temperature (kelvin) is commonly +/- 250k and brightness (lumens) is +/- 10%.

LED FLOODLIGHTS EMBEDDED SERIES
PRODUCT SERIES DATASHEET



PACKING: 4



Product Name	Box Size(L×W×H)[cm]	Qty/Box [pcs]	Unit Weight [Kg]
88L-FL-EC-20W	22x14x12	1	1.4
88L-FL-EC-25W	22x14x12	1	1.4
88L-FL-EC-30W	26x16x12	1	1.8
88L-FL-EC-40W	26x16x12	1	1.8

Note 4: Package information is only for reference.

OTHER 88Light PRODUCTS:

For more information about 88Light products, or to use our online energy saving calculation software please visit our website

www.88light.com

DISCLAIMER:

88Light reserves the right to modify the design of our products as part of the company's program of continuous improvement. 88Light cannot guarantee to match existing installed product for subsequent orders or replace the product exactly to match the product you are replacing in product appearance, color, or brightness. Specifications are subject to change without notice.